

## Abstract

In the framework of LANSCCE Accelerator Modernization Project (LAMP) preliminary research and evaluation of critical technology elements it was found that the proposed RFQ design had not been yet demonstrated experimentally worldwide. Such an RFQ should combine the ability of traditional light ion RFQs, and flexibility of acceleration pre-bunched beams, like RFQs for heavy ions.

Proposed RFQ should be able to accelerate beams with 35mA beam current and at the same time preserve pre-scribed macro-bunch time structure required by experiments. New algorithms for RFQ geometry generation have been proposed and optimization algorithms are being developed at LANL.

LAMP technology demonstration plans also include development of new set of electrodes for our RFQ test stand that will allow us to demonstrate the critical technology in laboratory experimental setup with low duty factor and low energy.

## LAMP project at LANL

The LANSCCE Modernization Project (LAMP) is now at planning stage, and its CD-0 is expected this year. The LAMP goal is to replace the obsolete front end (FE) of the LANSCCE linac with a modern reliable front end [1,2]. The existing FE evolved over the 40+ years and now provides five different beam flavors (beam species – protons and H- ions, various beam currents, different beam pulse structures) for various end users. However, it is based on the obsolete Cockcroft-Walton (C-W) high-voltage injectors, and multiple components are in the near-failure state and cannot be readily replaced. The threshold requirements for the new injector are to provide reliably the presently available five beam flavors [1,2]. The present conceptual design of the new front end is based on a single radio-frequency quadrupole linac (RFQ) that will accelerate all five beam flavors to 3 MeV [1,2].

The RFQs are widely used, and their design and technology are well developed. However, for the beam currents comparable to the ones at LANSCCE, they are usually designed and optimized for a single beam flavor with continuous injection into RFQ, e.g., [3,4]. Alternatively, there are multi-species RFQs that can preserve complicated pre-buncher beam structure, but only for very low beam currents typical for heavy ion beams, e.g., [5].

The proposed FE concept includes novel RFQ that combines the features of the two RFQ types mentioned above and can be considered critical technologies.

## RFQ Beam Dynamics (BD) Algorithm

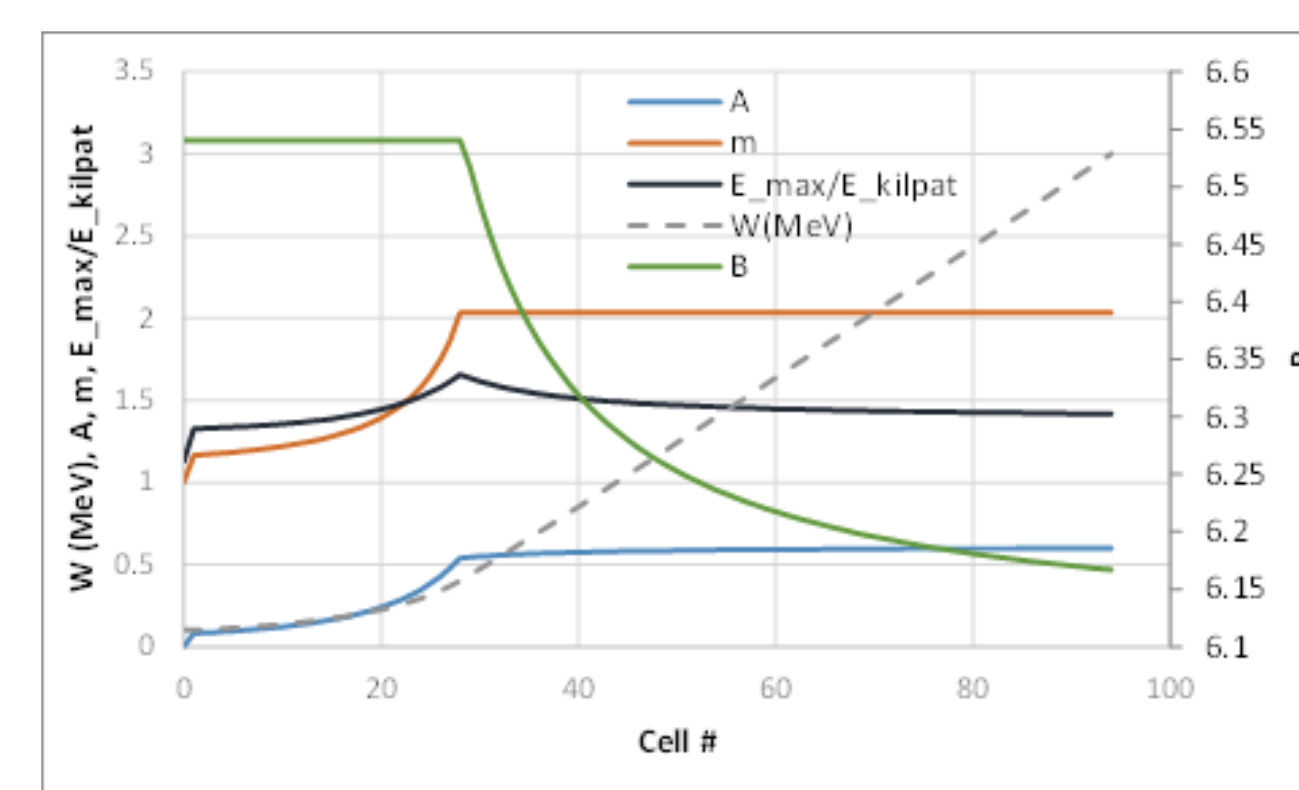
The most prominent Critical Technology Element in LAMP project is the RFQ with the set of requirements unprecedented in any other RFQ accelerator design worldwide. New specific design procedure and algorithm were developed to meet the RFQ geometry requirements. In this contribution the proposed procedure and major parts of the developed algorithm are presented, and the preliminary longitudinal beam dynamics (BD) results are discussed.

The major difference of the proposed RFQ, compared to existing high current light ions RFQs [3,4], is the requirement to start with the pre-bunched beam and pre-serve pre-existing time structure of the macro pulses or beam bunch trains in the RFQ and in the following DTL. At the same time, the beam loss and the beam halo formation requirements are usual for high beam current RFQs, and stricter compared to the heavy ion RFQs [5], that were designed to accelerate and shape the beam at lower RF frequency and lower velocities.

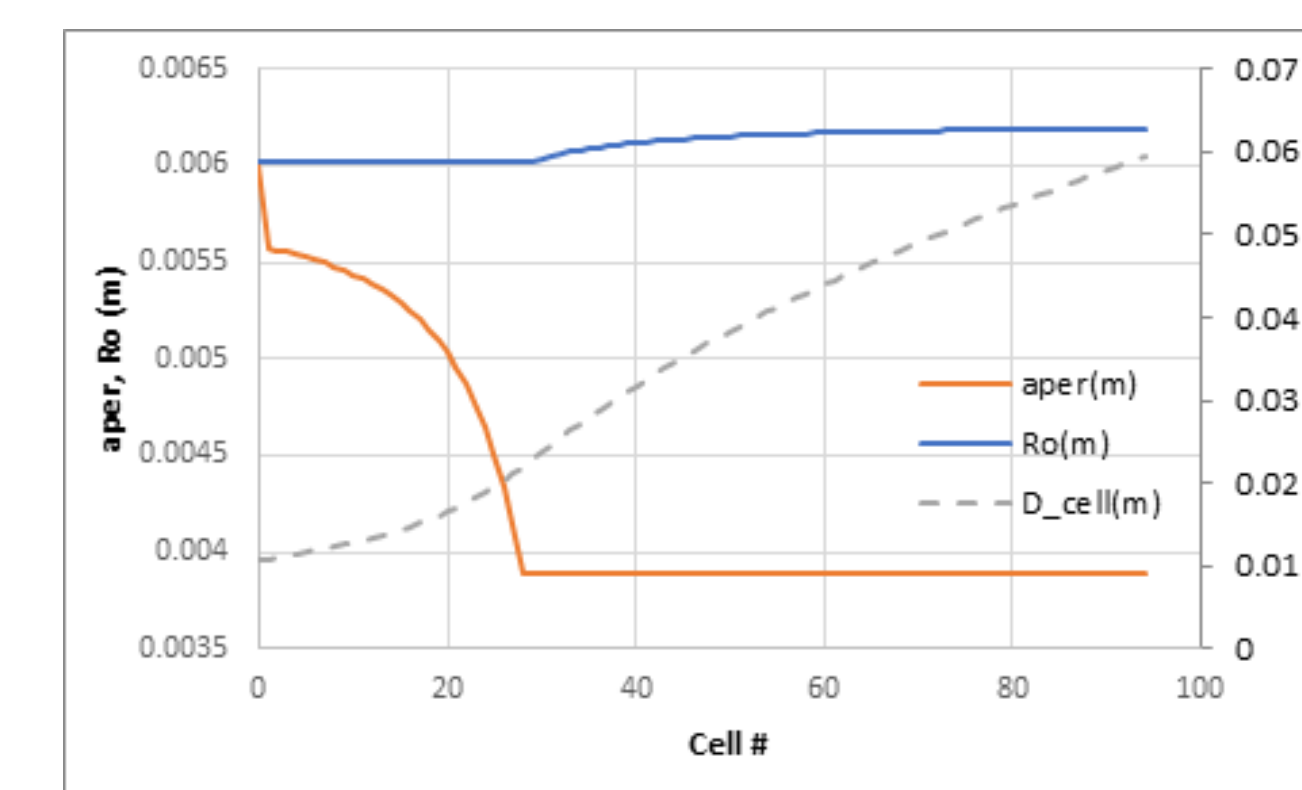
We started a very preliminary BD pre-design study in the pro-posed RFQ. The first step in this study and algorithm development was done neglecting space charge effects (with only analytic estimates of those effects) and for longitudinal BD only. The Radial Matching Section (RMS), as well as the Transfer Cell (TC) at the beginning and at the end of the accelerating-focusing channel of the RFQ are not considered in simulations and will be included in the modeling at the following steps. The space charge effects will also be included in the simulations when the transverse BD will be fully included. All the formulae used in this contribution are from [6], or immediately derived from them.

The requirement to accept in the RFQ pre-bunched beam dictates the significant change of the classical RFQ structure. So, the proposed RFQ does not have a Beam Shaper section, and the section of the Adiabatic (or Gentle) Buncher is significantly shortened. The small modulation of electrodes is present in the very first cell of the RFQ (since we omitted RMS and TC sections).

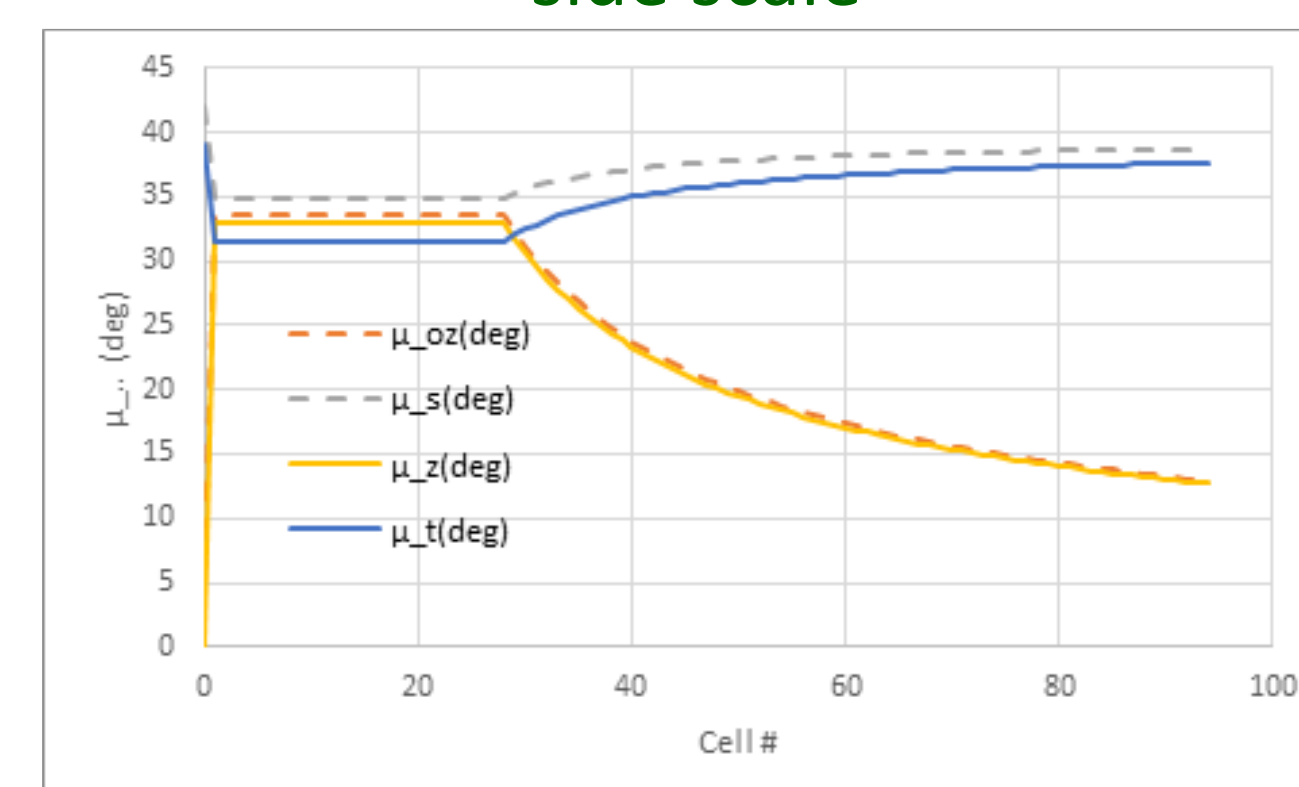
### RFQ geometry generation results:



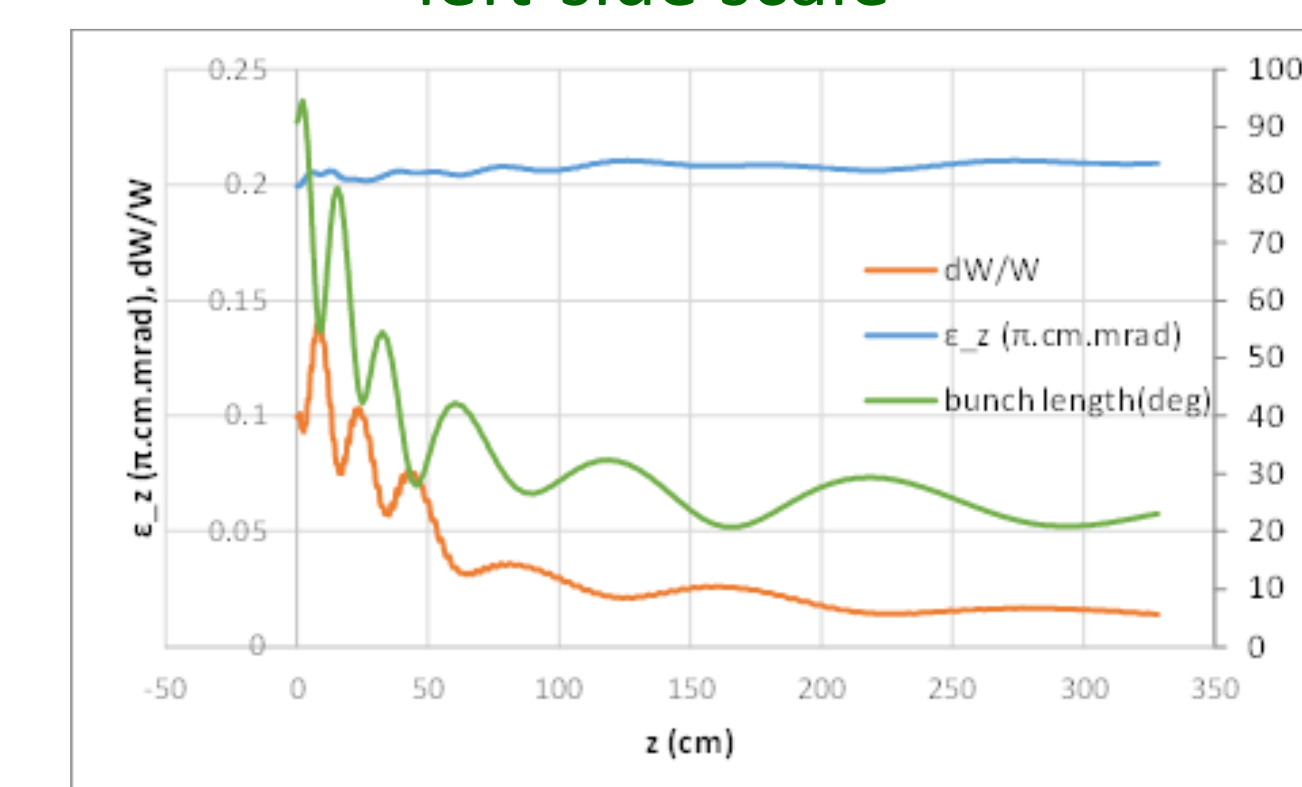
All curves except B-curve use left-side scale



All curves except D\_cell curve use left-side scale



The longitudinal ( $\mu_{oz}$  and  $\mu_z$ ) and transverse ( $\mu_s$  and  $\mu_t$ ) phase advances estimates. Space charge depressed phase advances were estimated for 50 mA beam current

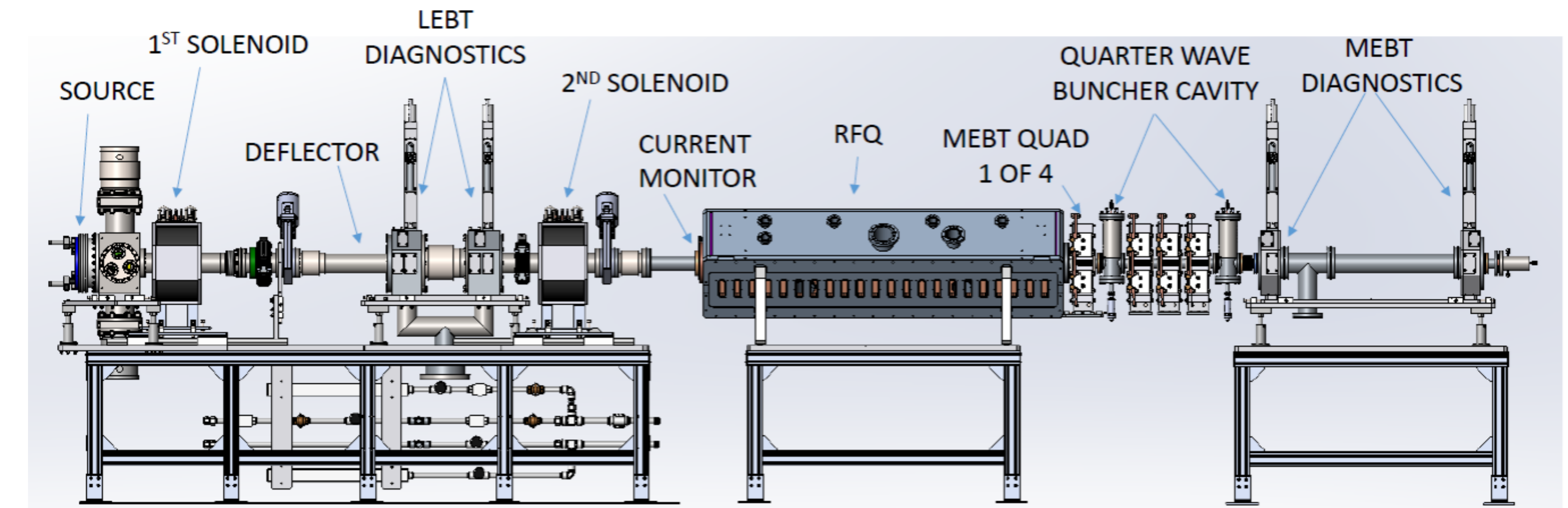


Longitudinal BD simulation in the generated RFQ accelerating-focusing channel geometry using code BEAMPATH [7]

## LAMP Demo RFQ Test Stand

We have staged the LAMP technology demonstration as follows:

- Complete the fixes at the existing RFQ test stand and demonstrate the proton beam out of RFQ. For demonstration, the test stand can run at low duty factor and with lower beam current.
- Develop modifications of the existing LEBT to include chopper and low frequency buncher. Develop new focusing structure and diagnostics for modified LEBT.
- Develop an MEBT after the existing RFQ at 750-keV output beam. We can show chopping needed in the MEBT of the proposed scheme of the LAMP.
- Redesign the existing RFQ electrodes with a different vane profile that enables better capture of pre-bunched beam or short beam pulse. Important condition: the vane length should be the same as in the existing RFQ, so that only the vanes can be re-placed. The output beam energy can differ from the present design value, 750 keV.



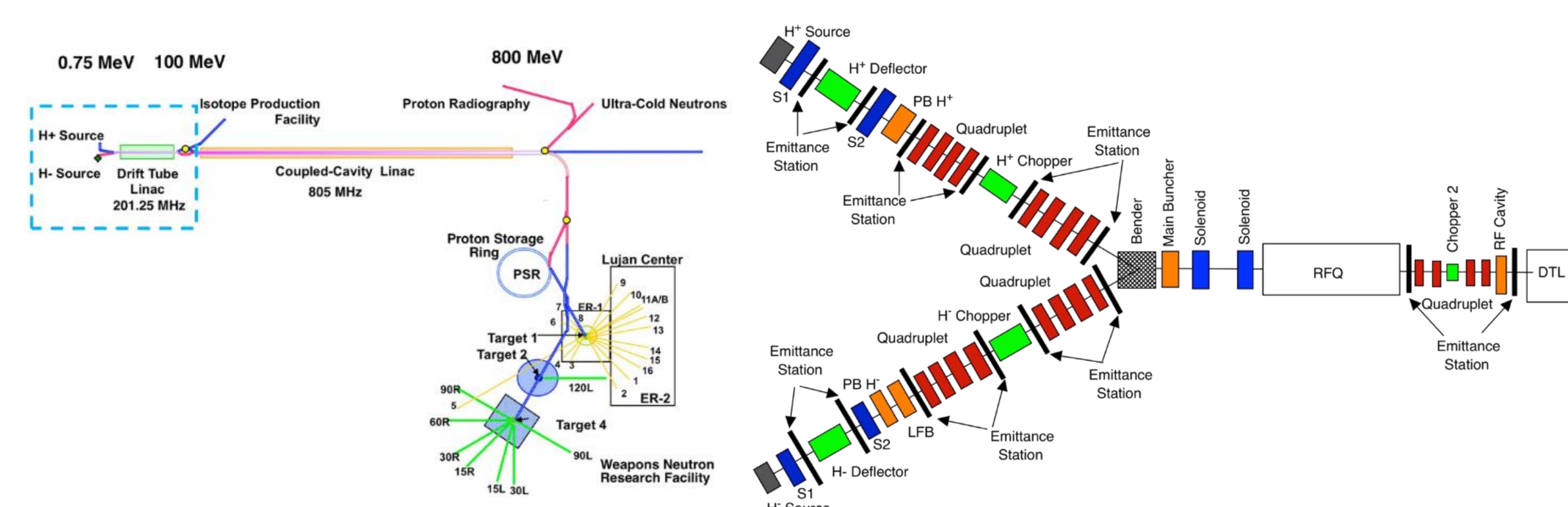
Existing 750 keV RFQ Test Stand at LANL

## References

- [1] Y. Batygin, D. Gorelov, S. Kurennoy, J. Lewellen, N. Moody. "LANSCCE Front-End Upgrade," LANL Internal Report, June 2020
- [2] Y. K. Batygin, et al., Advancement of LANSCCE Front End Accelerator Facility, 12th Int. Particle Acc. Conf. (IPAC2021), Campinas, SP, Brazil, 2021.
- [3] S. Henderson et al. "The Spallation Neutron Source accelerator system design." NIM-A, v. 763, pp. 610-673 (2014)
- [4] J.S. Schmidt et al. "Investigations of the output energy deviation and other parameters during commissioning of the four-rod radio frequency quadrupole at the Fermi National Accelerator Laboratory." PRST-AB, v.17, 030102 (2014).
- [5] H. Ren et al. "Commissioning of the FRIB RFQ." J. Phys.: Conf. Ser., v. 1067, 052010 (2018).
- [6] Y.K. Batygin "Proton and Ion Linear Accelerators", US Particle Accelerator School, June 7 -July 2, 2021, LA-UR-16-29517 (2021). <https://uspas.fnal.gov/materials/21onlineSBU/onlineSBU-PILA.shtml>
- [7] Y.K. Batygin, "Particle-in-cell code BEAMPATH for beam dynamics simulations in linear accelerators and beamlines," NIM-A, v. 539, pp. 455-489 (2005).

## Acknowledgement

The authors gratefully acknowledge the support of the LAMP program by LANSCCE experimental programs and the laboratory management.



Schematic picture of the LANSCCE facility and the LAMP upgrade segment.