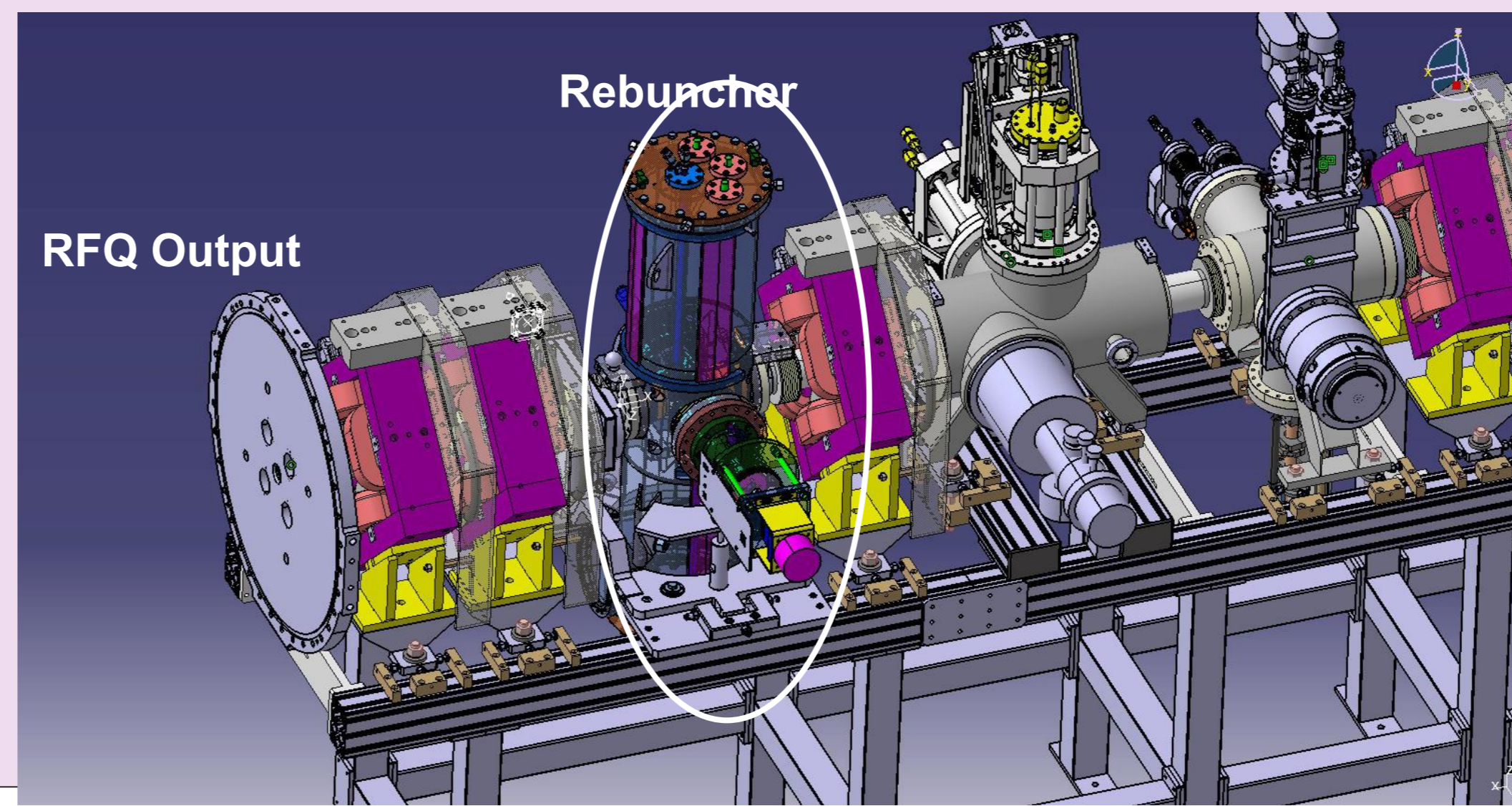


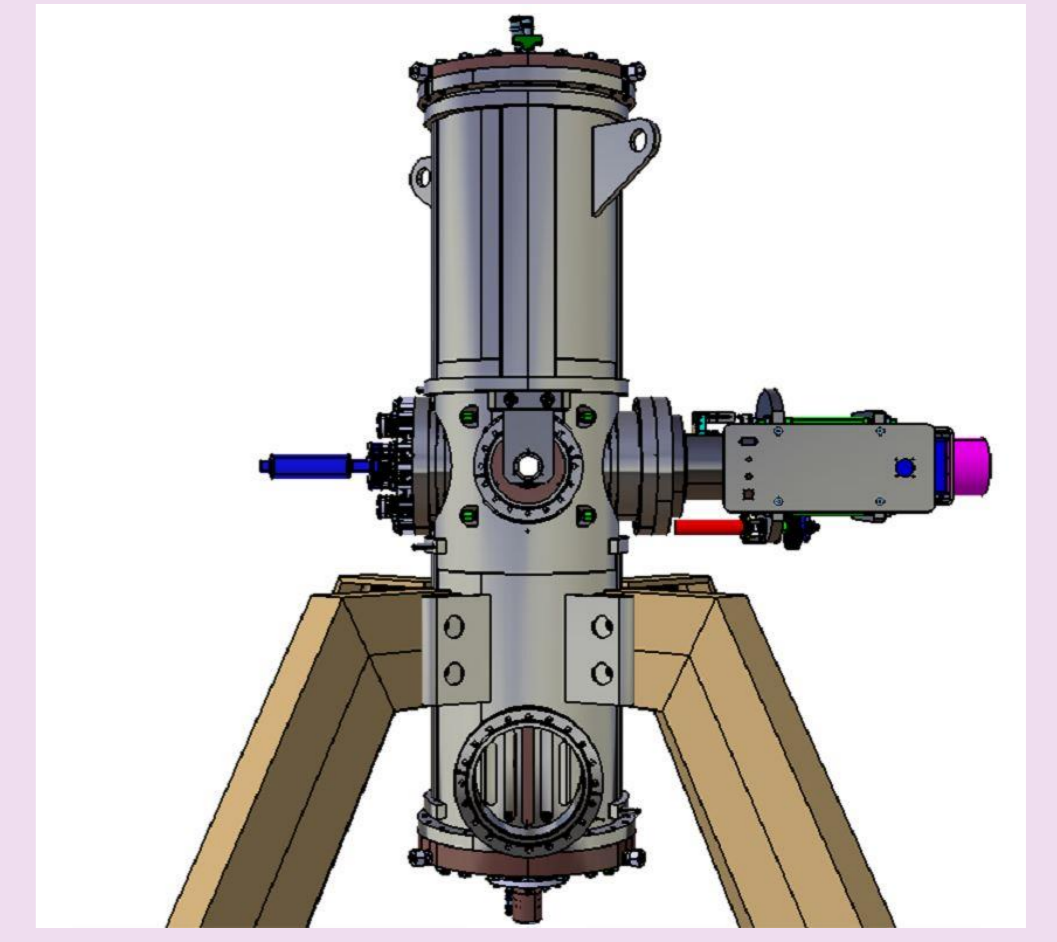
Subject

First results of the of the beam loading effects in the first rebuncher of MEBT Line of Spiral2 project.

In the cyclotron machine at Ganil the effects of the beam are quite small because of the low intensity of the beam. In Spiral2, as in others accelerators, the beam produces an important effect in the voltage and the phase of the cavity. So the system has to know the importance of the perturbations and must to take into account the behavior of the cavity with the beam to conduct the beam in good conditions to the experimental areas.



The MEBT Line



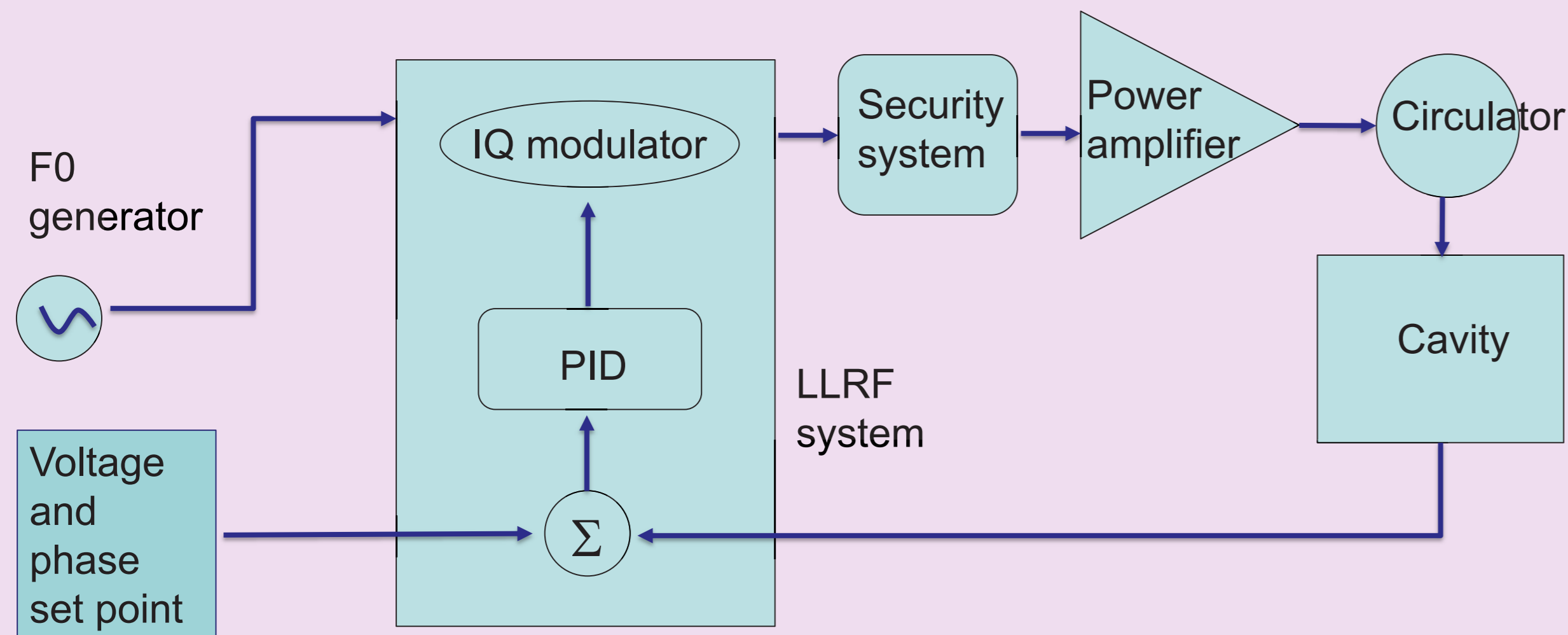
Rebuncher parameters

PARAMETERS	Unity	Design
Beta Optimal	%	0.04
Diameter	mm	60
Flange to flange Distance	mm	280
design voltage (continuous)	kV	120
RF power for 120 kV	kW	5
design voltage (pulse)	kV	190
magnetic field surface peak (continuous)	A/m	5885
surface peak electric field (pulse)	Kp	1.1
RF power available (continuous, Amplifier output)	kW	10
Injection Loop Power Max	kW	15
Fine tuning range	MHz	+/-0.3
Power probe (@ 120 kV)	dBm	≤ 30
max temperature (@ 120 kV, cw)	°C	50
Alignment	mm	+/- 0.5

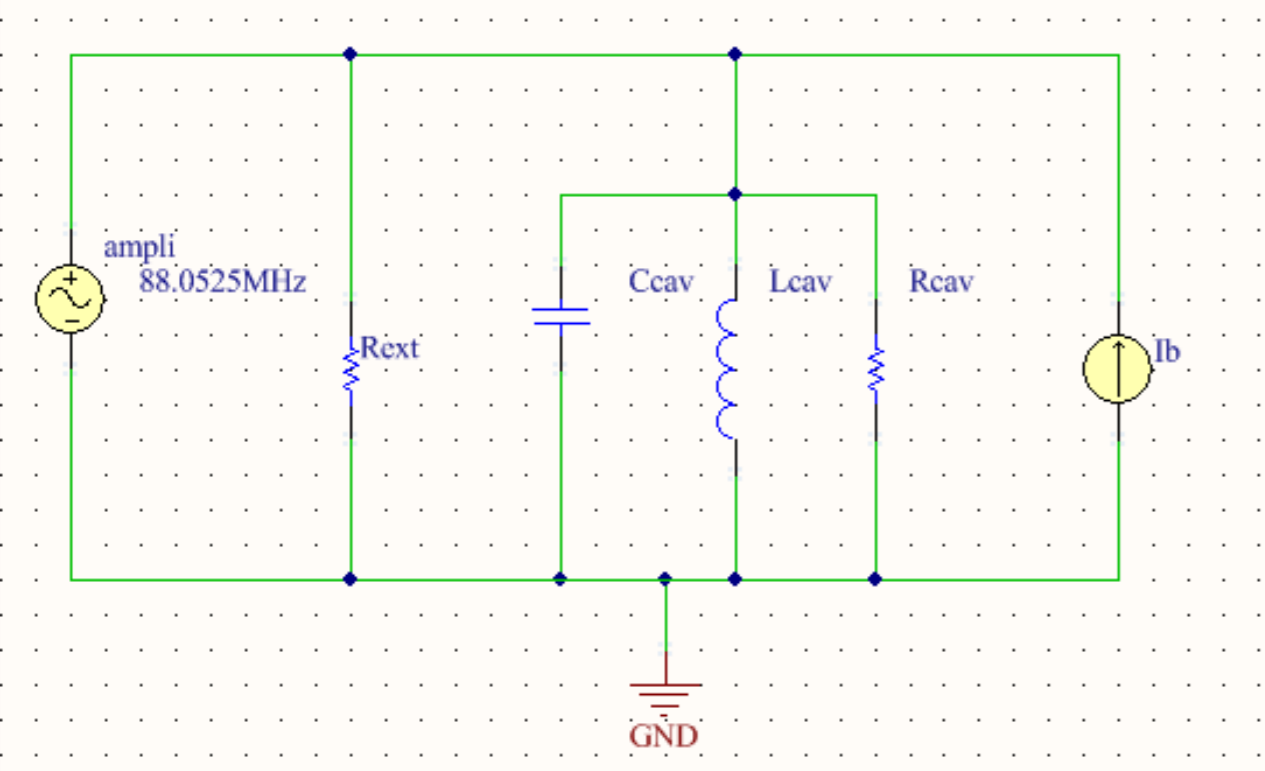
$Q_L=3335$

$\tau_{fill} = \frac{2 \cdot Q_L}{\omega_0} = 12 \mu s$

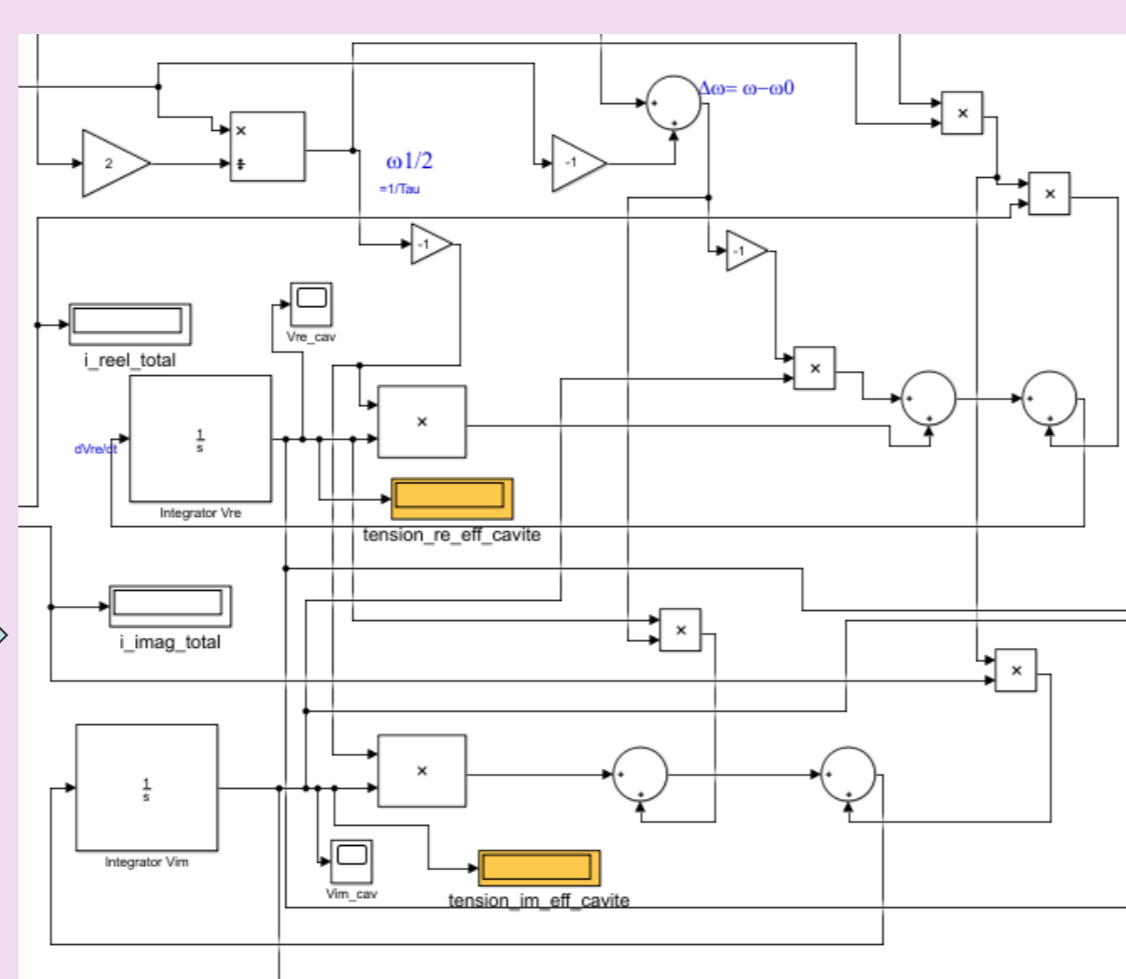
General Diagram of the RF system for one cavity



Equivalent electrical circuit of the cavity with the beam



Matlab simulink Simulation



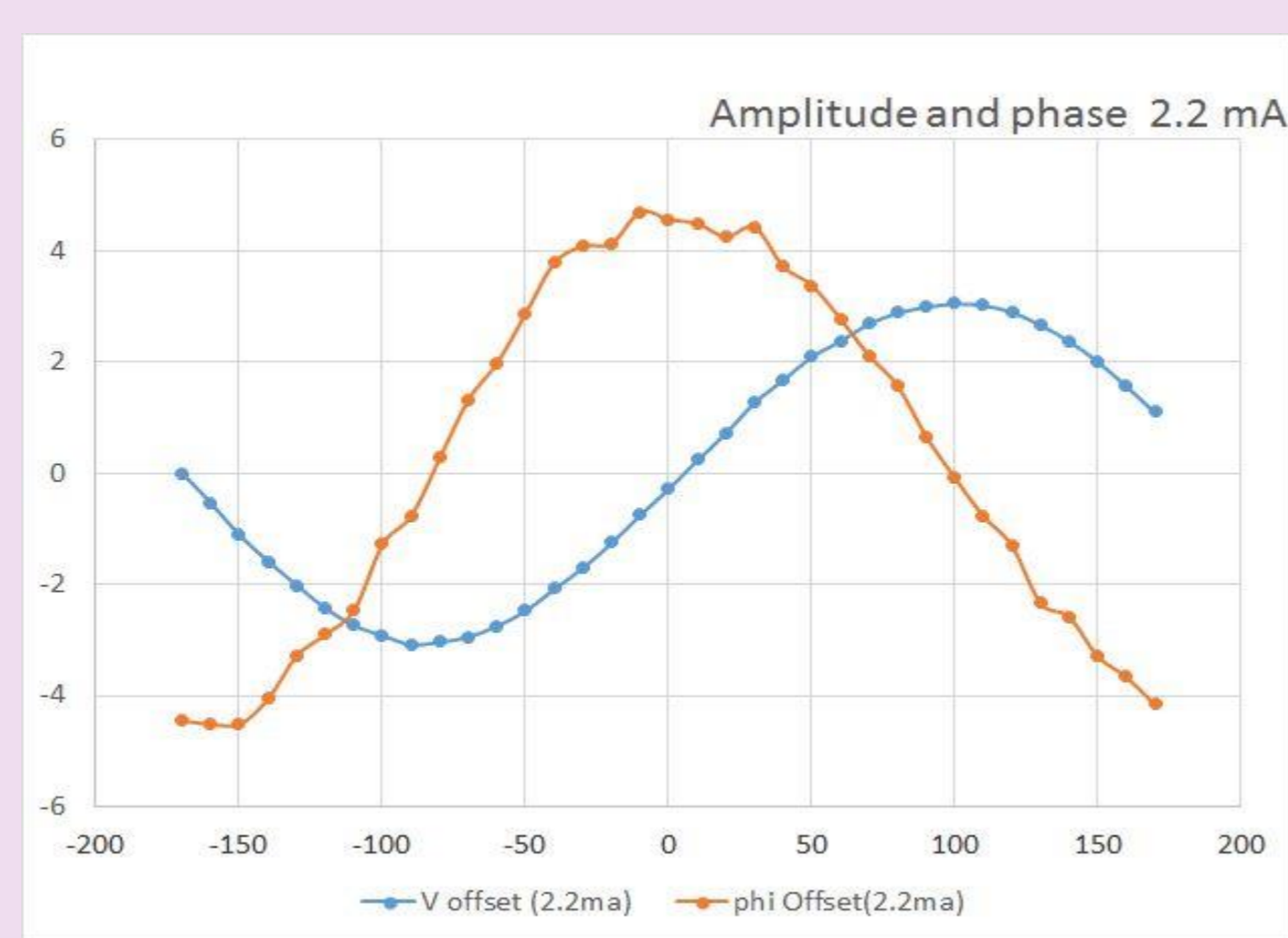
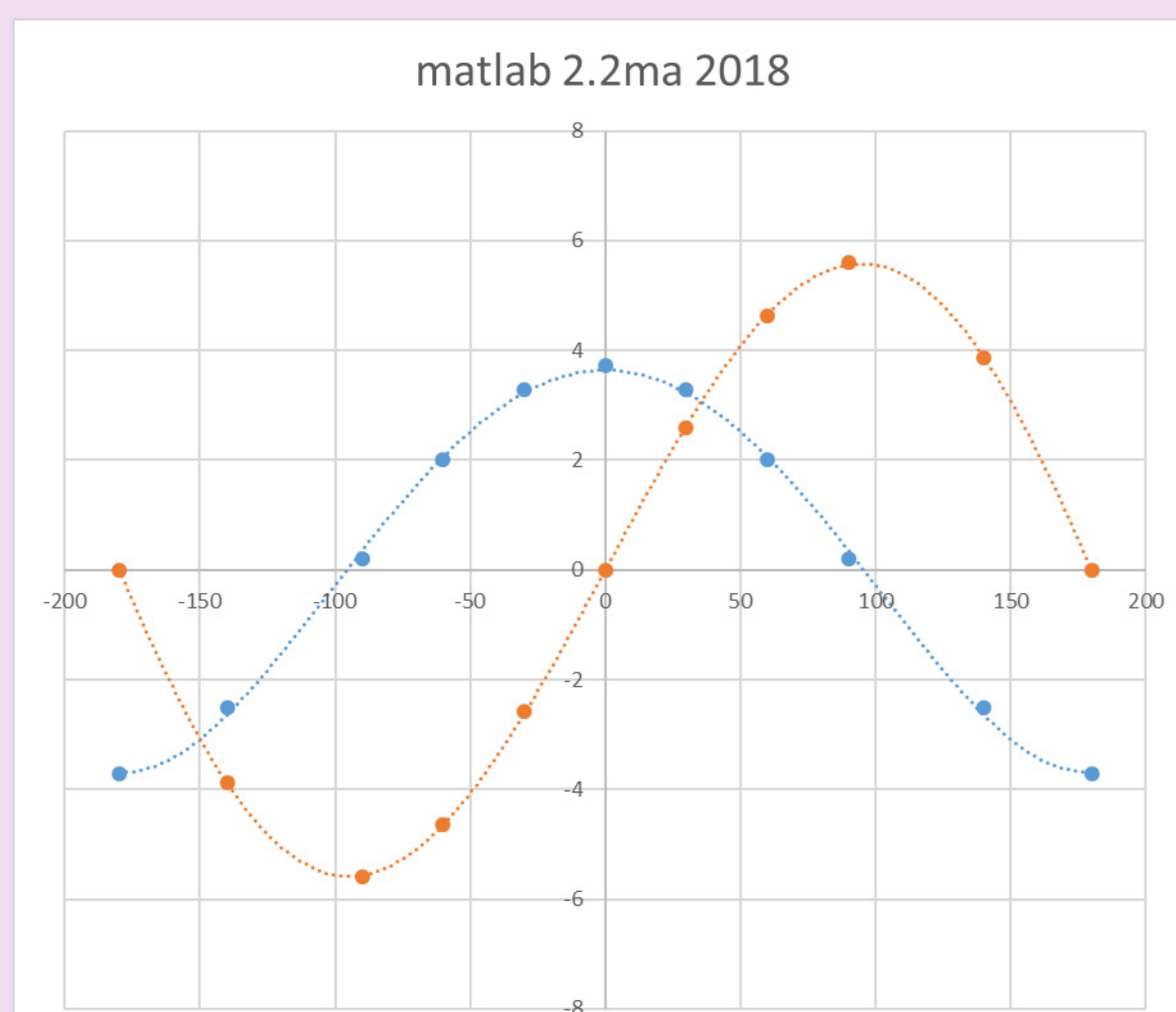
$$\frac{d^2V}{dt^2} + \frac{1}{R_L C} \frac{dV}{dt} + \frac{1}{LC} V(t) = \frac{1}{C} \frac{dI}{dt}$$

$$\frac{dV_{re}}{dt} = -\frac{\omega_0}{2Q_L} V_{re} + (\omega - \omega_0) V_{im} + R_L \frac{\omega_0}{2Q_L} I_{re}$$

$$\frac{dV_{im}}{dt} = -\frac{\omega_0}{2Q_L} V_{im} - (\omega - \omega_0) V_{re} + R_L \frac{\omega_0}{2Q_L} I_{im}$$

It is assumed than during the pulse the cavity with it large bandpass is always very closed to the resonance frequency

Measurements and Simulations of the amplitude and phase offsets created by the beam in open loop with the tuning of the phase between RFQ and rebuncher



Operating Voltage : **Rebuncher 1: 120 kV**

Structure 3-gaps- Two stems quarter wave in opposition
Two capacitive panels- Inductive Coupler

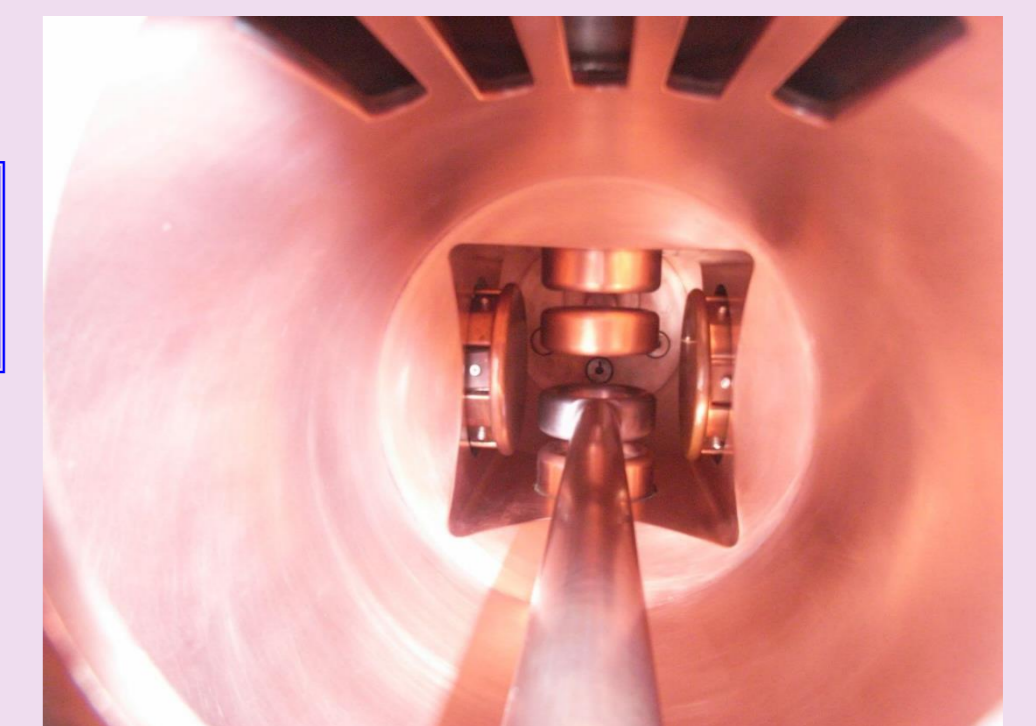
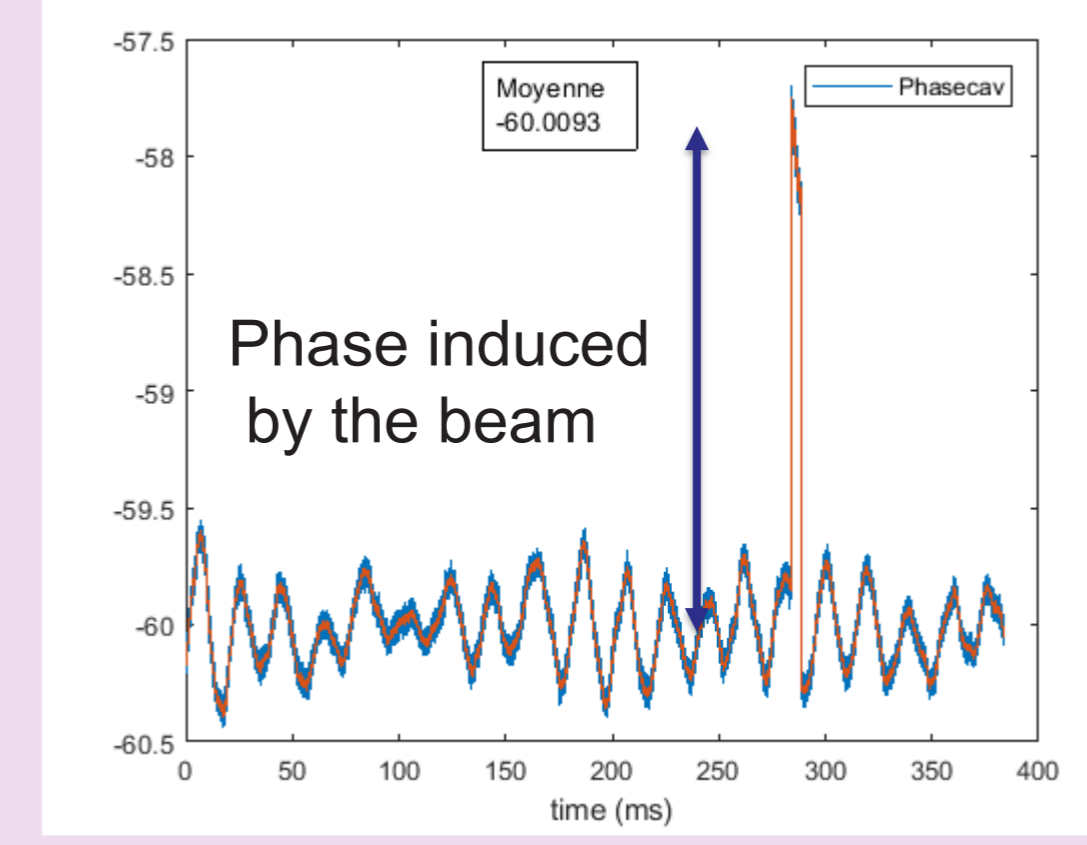
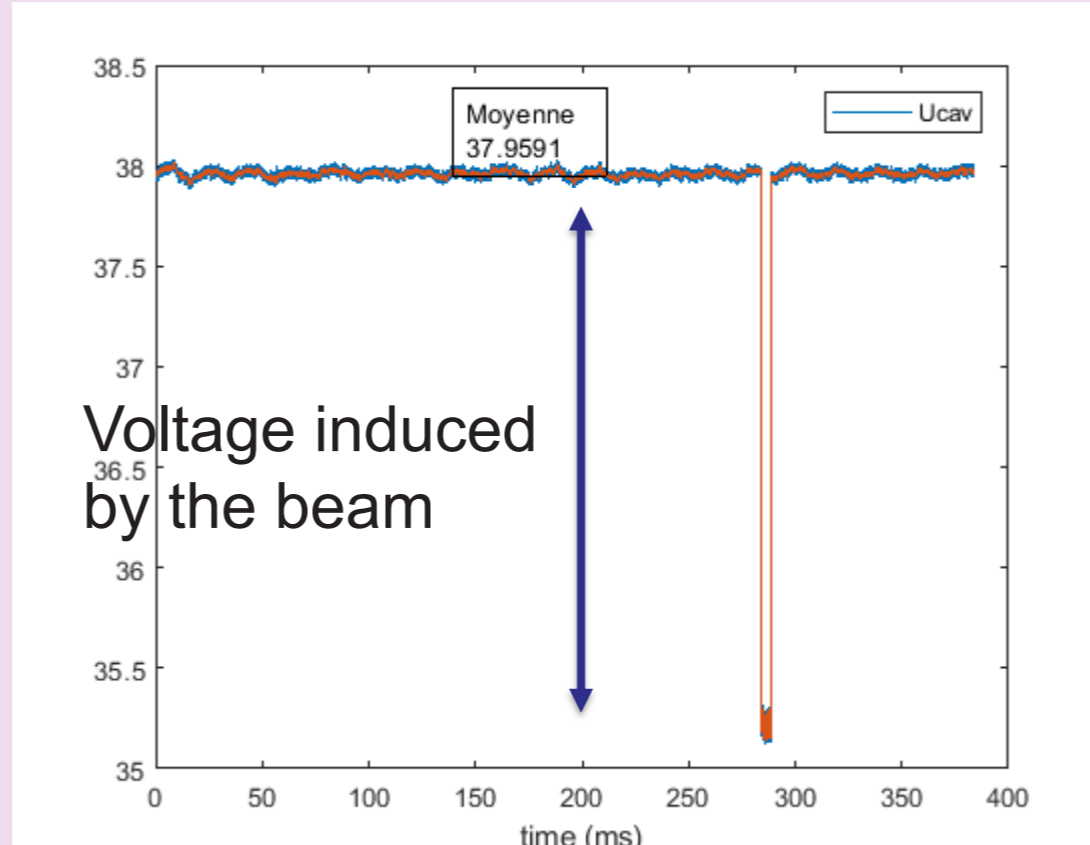
Tests conditions

I beam=2.2mA to 5.1 mA

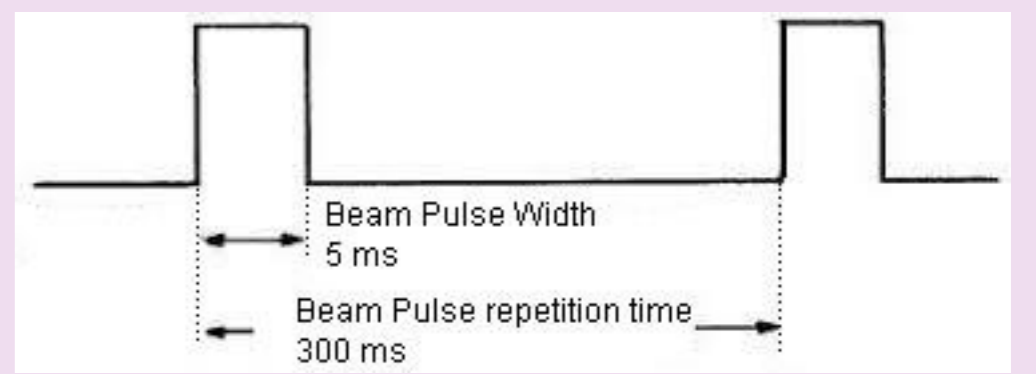
Beam pulse time = 5ms /300ms
Voltage = 38 kV

Example of 38kV rebuncher and a phase offset between RFQ and rebuncher of -60°

Open loop regulation

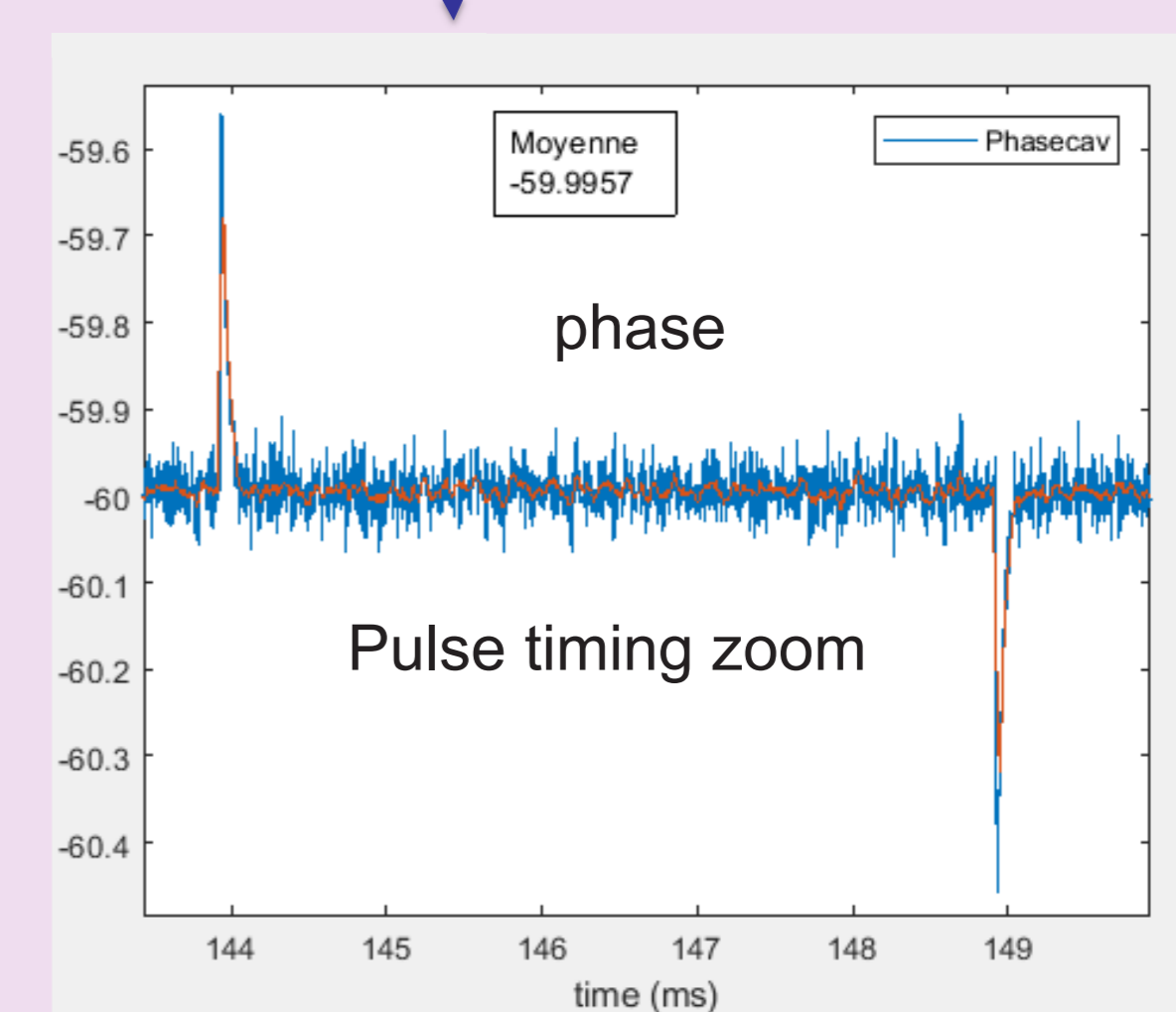
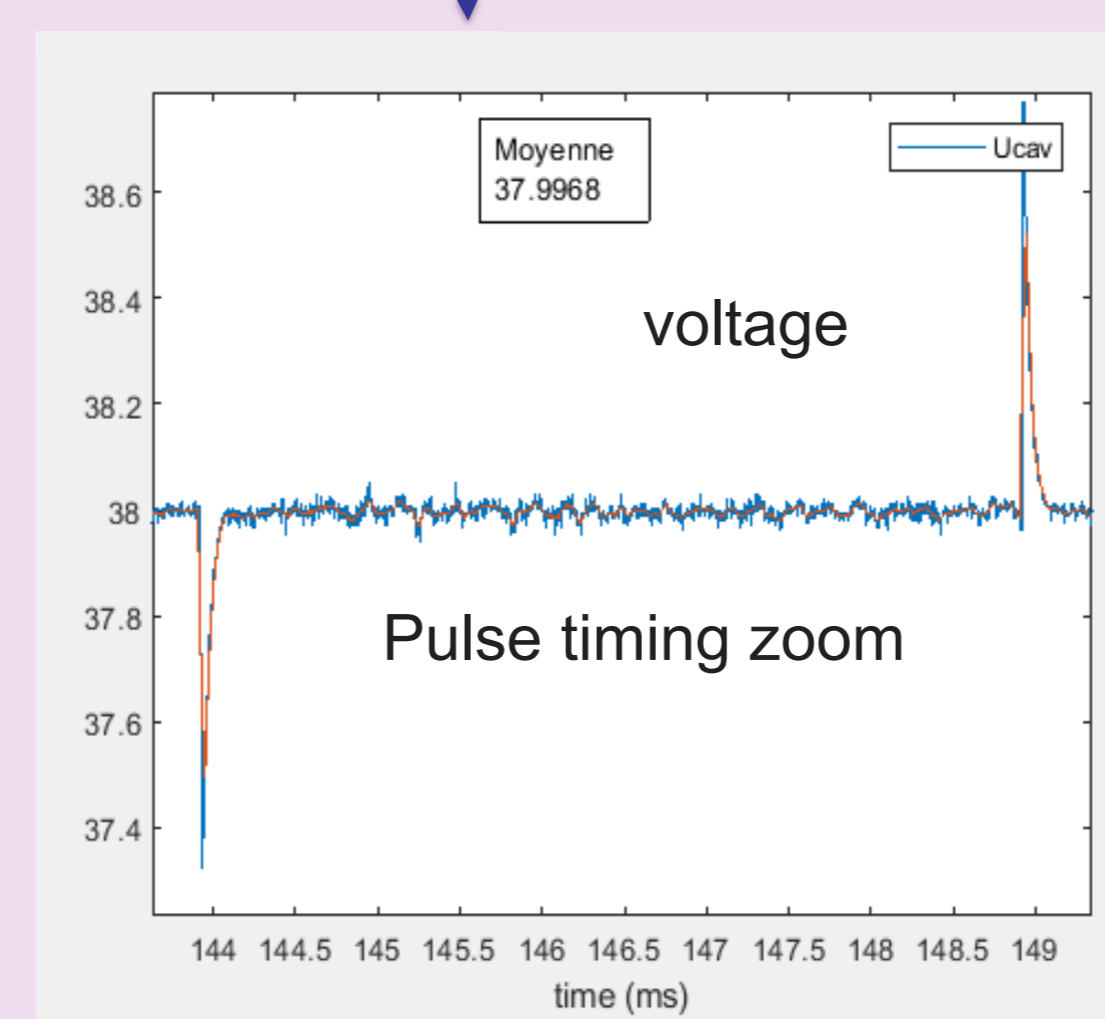
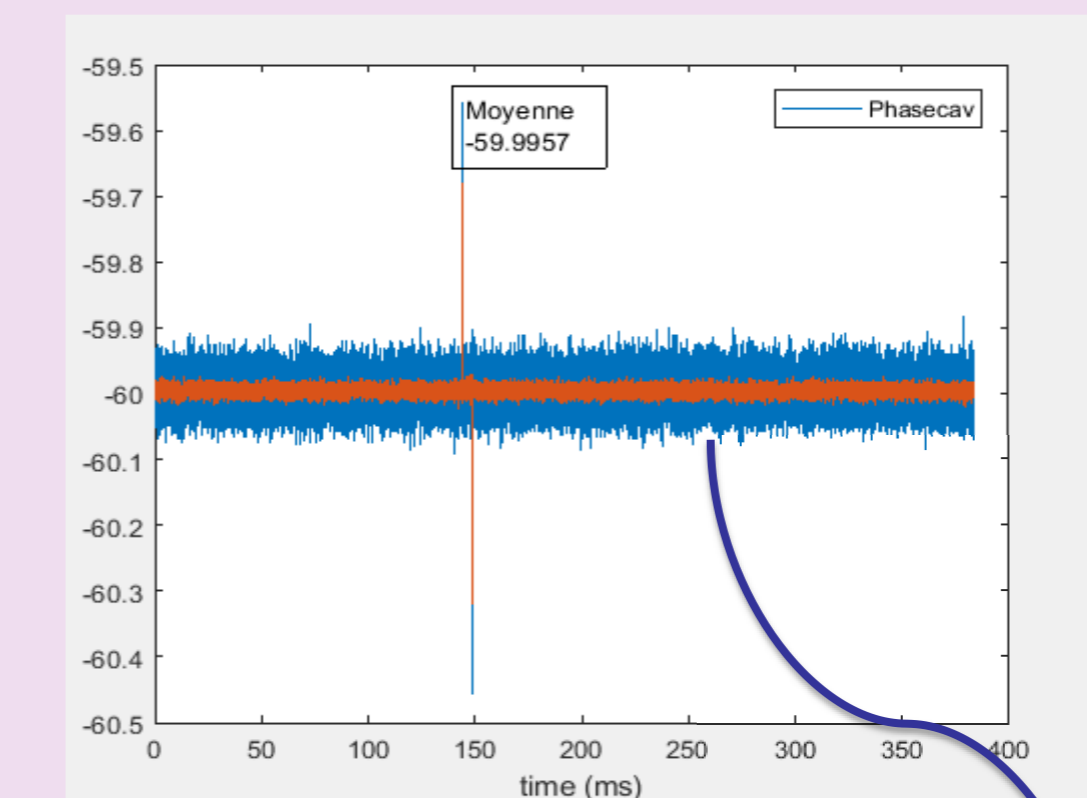
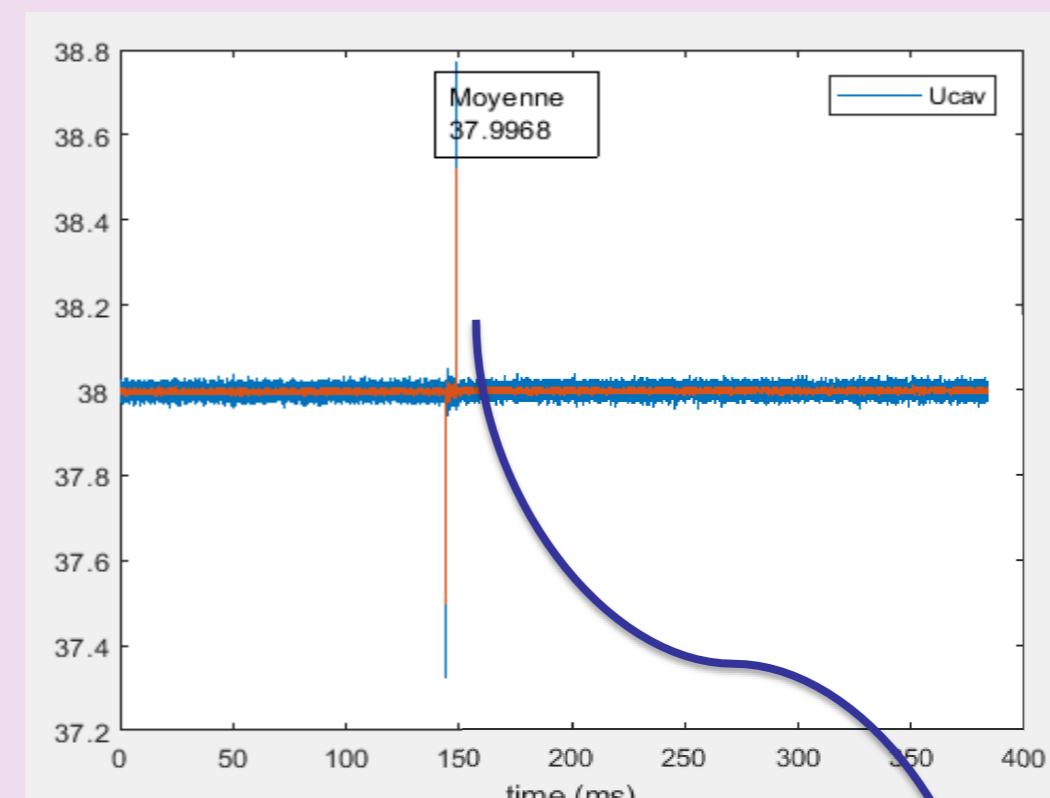


Inside view



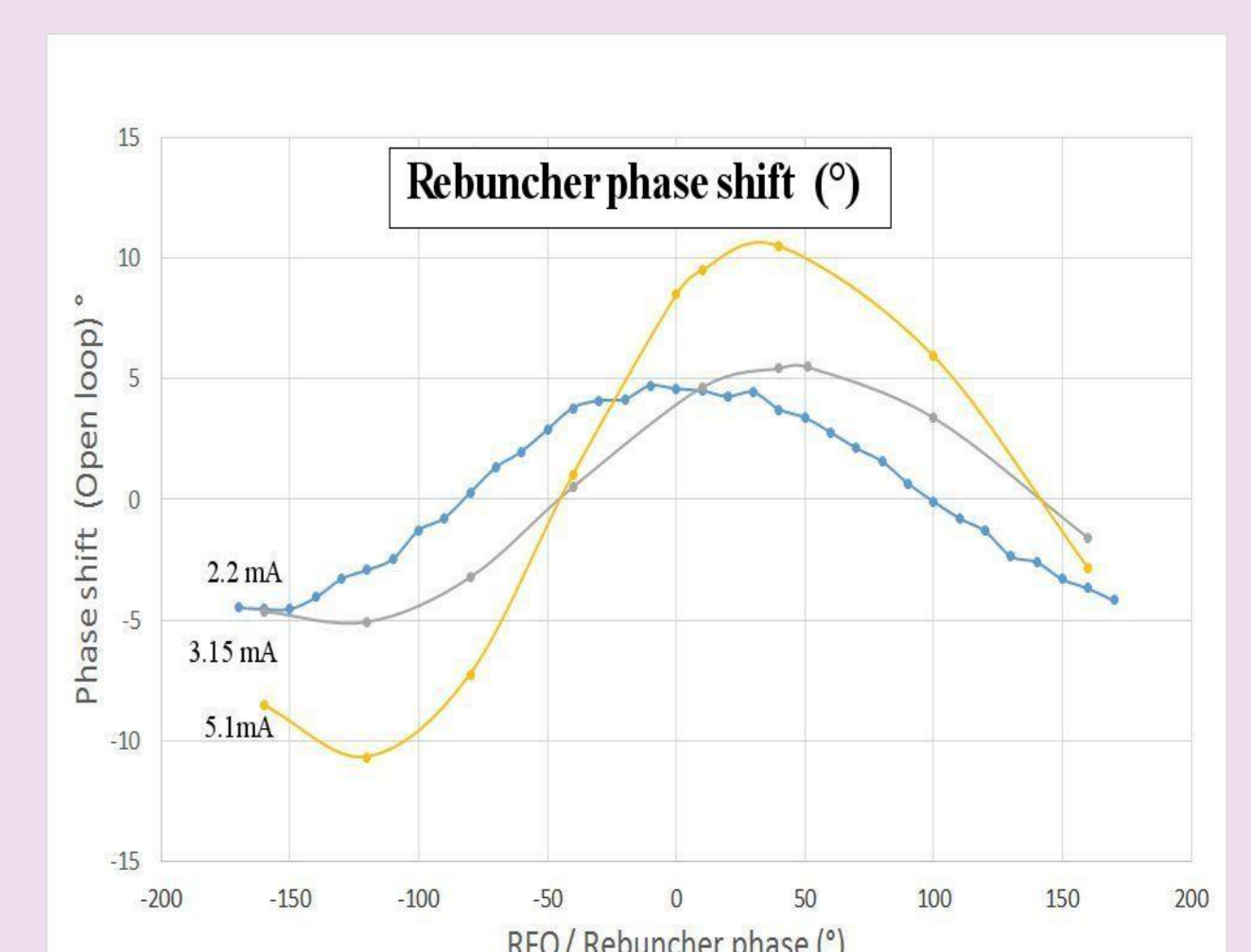
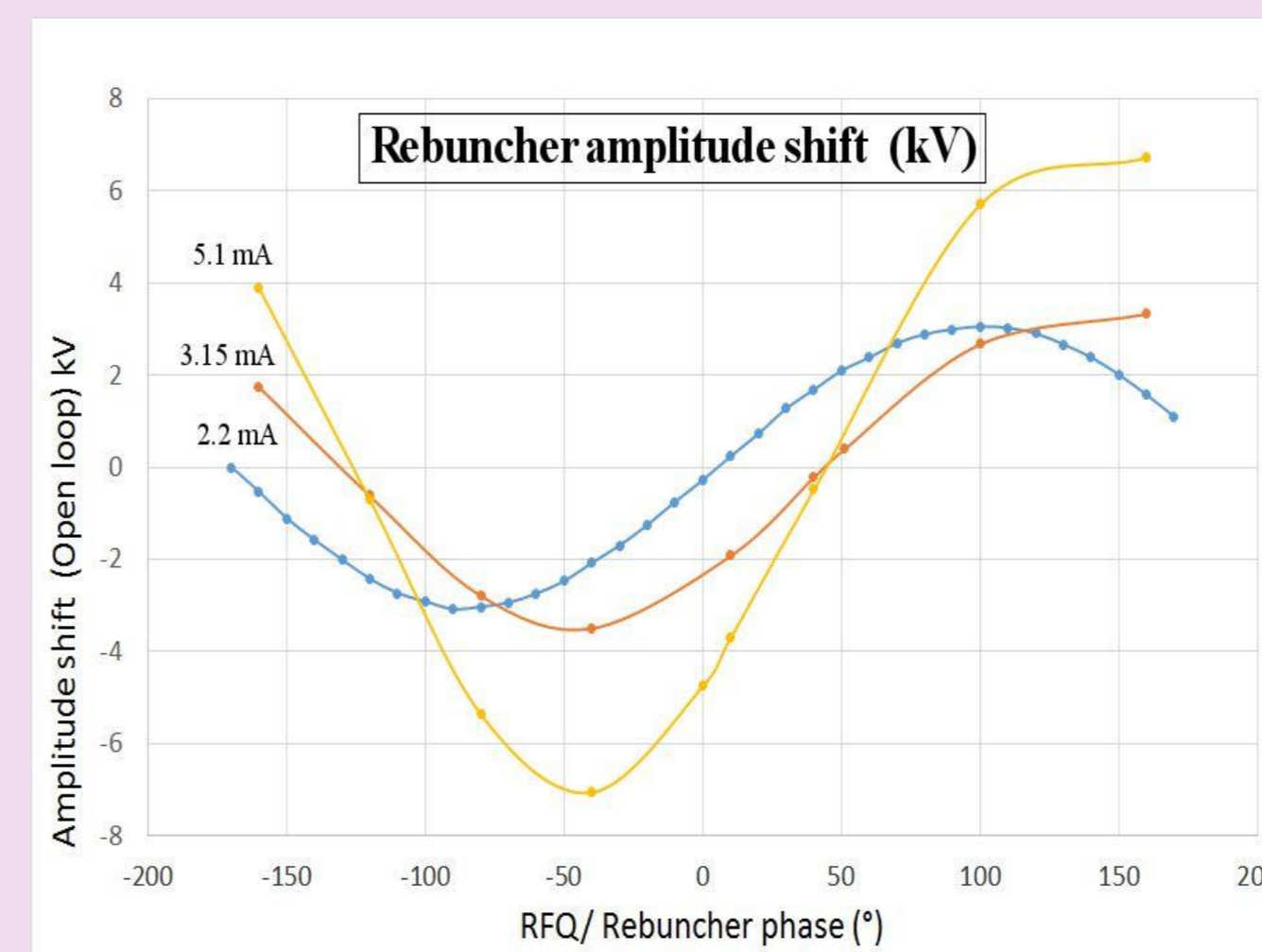
In open loop, for this tuning point :
The beam change the voltage : -2.7kV
The phase : +2°

Closed loop regulation



In closed loop, for this tuning point :
The IQ regulation (with the choosed constants of PID system) brings back to the set point in 100 μs

Measurements of the amplitude and phase in open loop with the tuning of the phase between RFQ and rebuncher (for many currents of the beam)



Conclusion: We have measured the influence of the beam in the voltage rebuncher regulation. Values are in accordance to the simulated ones. The next steps are to optimize the regulation and to improve the RF system to keep the beam 'on'.