

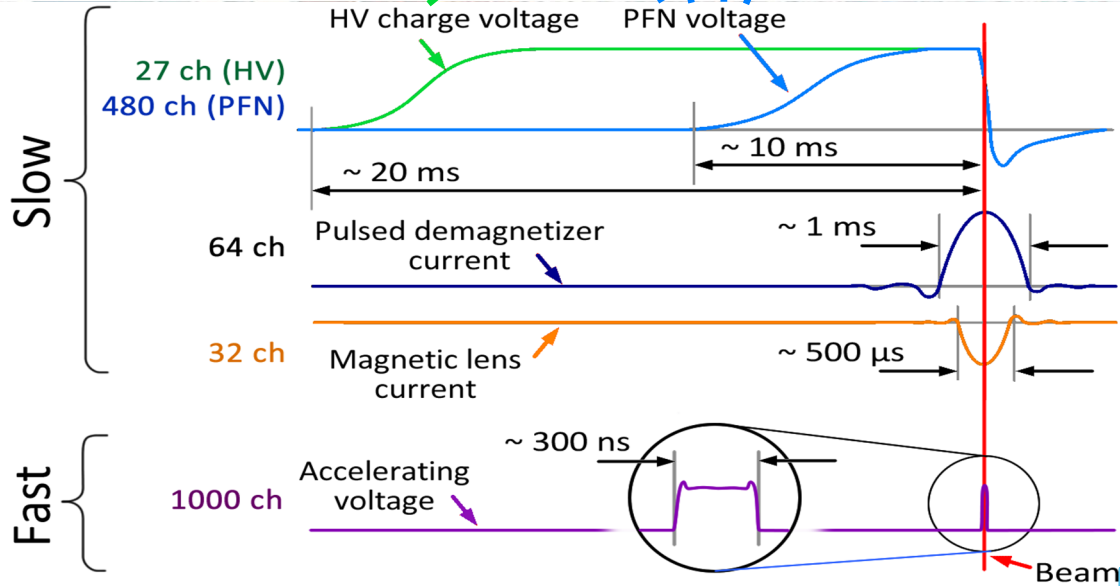
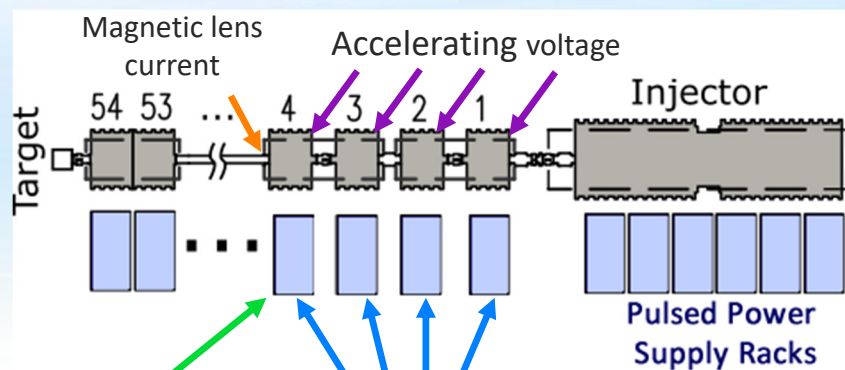


VME BASED DIGITIZERS FOR WAVEFORM MONITORING SYSTEM OF LINEAR INDUCTION ACCELERATOR LIA-20

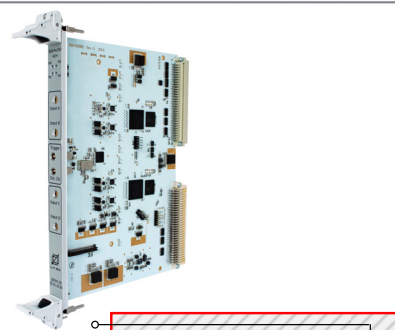
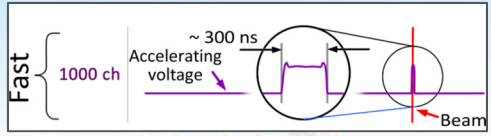
E.S. Kotov, A.M. Batrakov, G.A. Fatkin,
A.V. Pavlenko, K.S. Shtro, M.Yu. Vasilyev
Budker Institute of Nuclear Physics, Novosibirsk, Russia

THMPL09

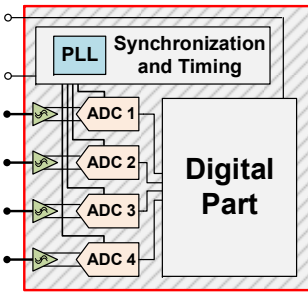
Project Goal



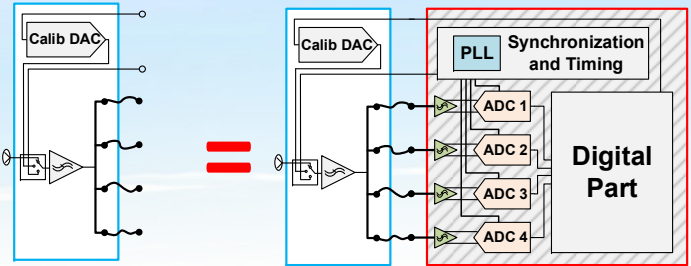
Fast Monitoring System



Baseboard +

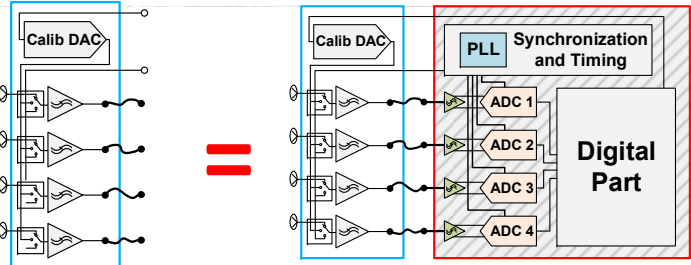


1-ch mezzanine preamplifier



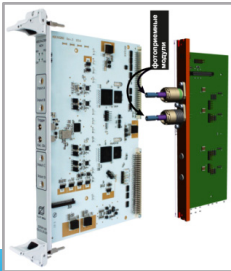
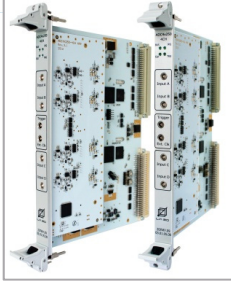
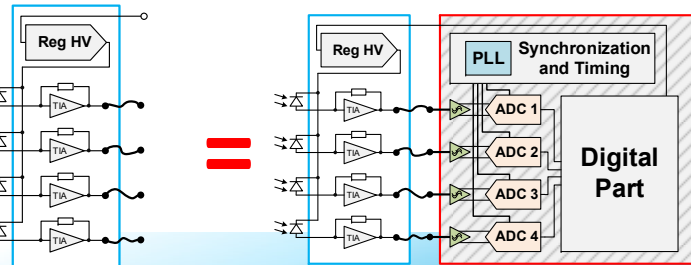
ADC4X250-4CH (250 MSPS, 75 MHz)

4-ch mezzanine preamplifier

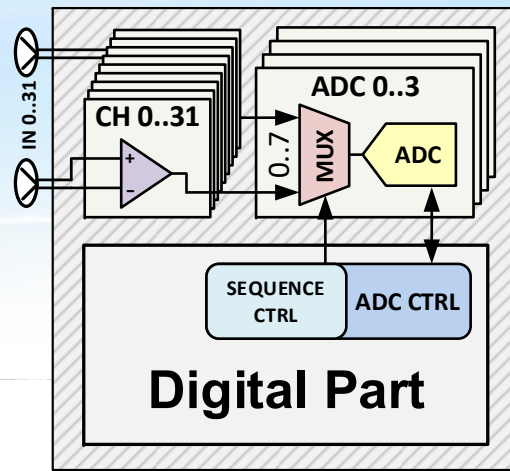
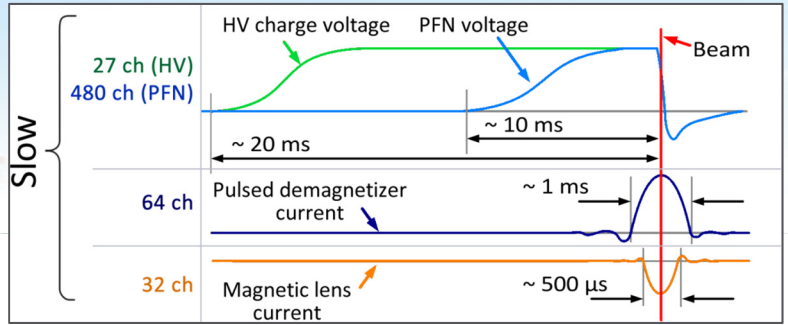


ADC4X250-APD (250 MSPS, optical inp.)

4-ch mezzanine avalanche photodiode preamplifier



Slow Monitoring System



Sampling example

