



Authors: Longwei Lai*, Yongbin Leng
SSRF, Shanghai, P.R. China

•Abstract

A CW hard X-ray FEL is under construction in SSRF, which pulse rate is designed to 1MHz. A new high-speed sampling BPM signal processor is under development to meet the high performance requirements of beam position measurement system. The processor's sampling rate can be up to 500MHz, and beam position information of each bunch (1MHz rate) can be retrieved with the power of FPGA. Time stamp is aligned with the position data for offline analysis. The processor is designed to be a common signal processing platform for beam diagnostics. The first application is cavity BPM, and other applications, including button BPM, stripline BPM, and even wire scanner processor will be developed based on this platform. At the same time, a RF direct sampling processor is designed for cavity BPM signal processing. This novel technology will greatly simplify the cavity BPM electronic system, and make the system design more efficient and more flexible.

•Introduction



SHINE: Shanghai HI repetition rate XFEL and Extreme light facility.

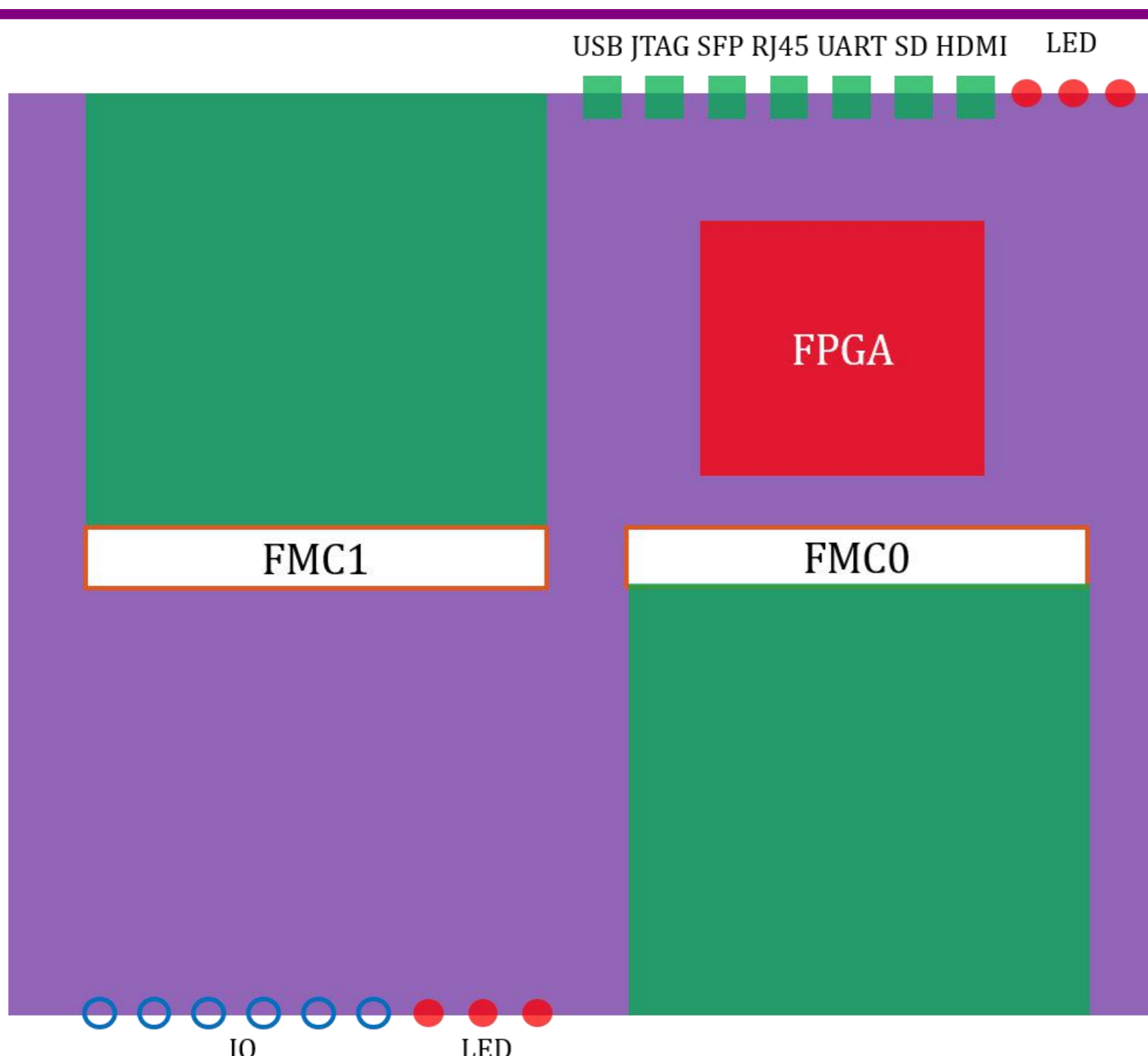
To be completed in 2025.

More than 300 cold button BPMs, stripline BPMs, cavity BPMs on SHINE.

A SoC FPGA based standalone beam signal processor platform(DAQ) is under development to meet digital signal processing requirements for all the BPMs.

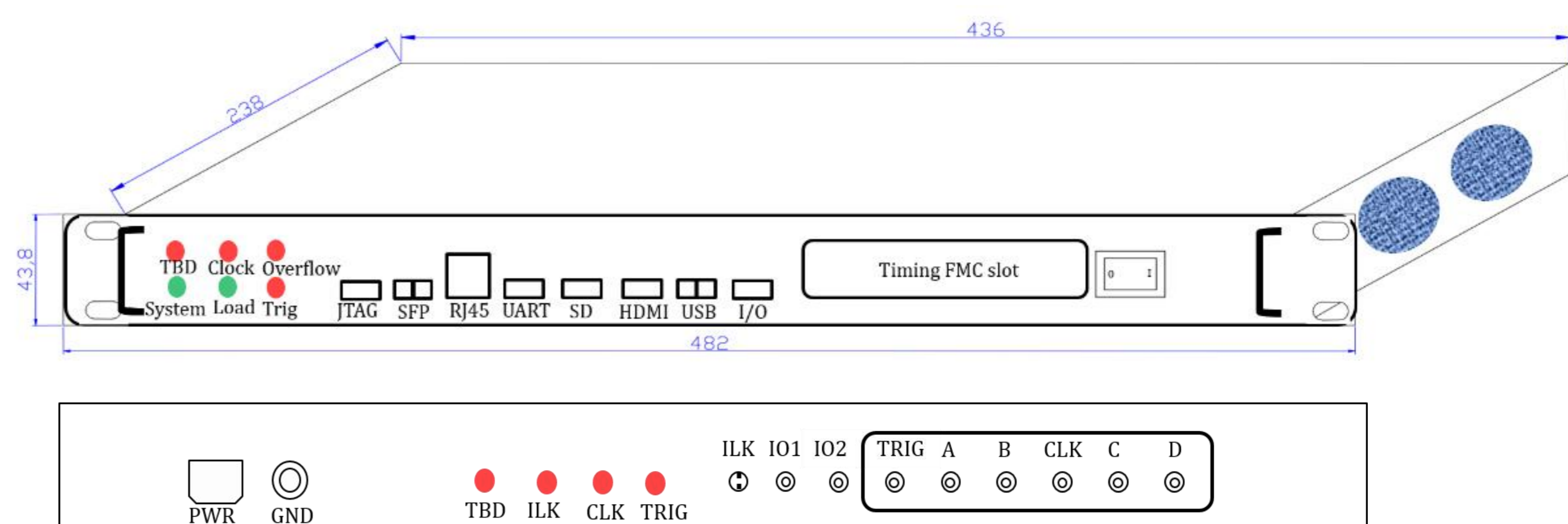
The DAQ can process the beam position up to 1 MHz rate.

•System Overview



Interfaces:

JTAG
UART
RJ45
4 × SFP
SD
USB
HDMI
Interlock
User I/O



Chassis

1U height
19U width
Fans
FMCs open panel
LEDs
Easy open

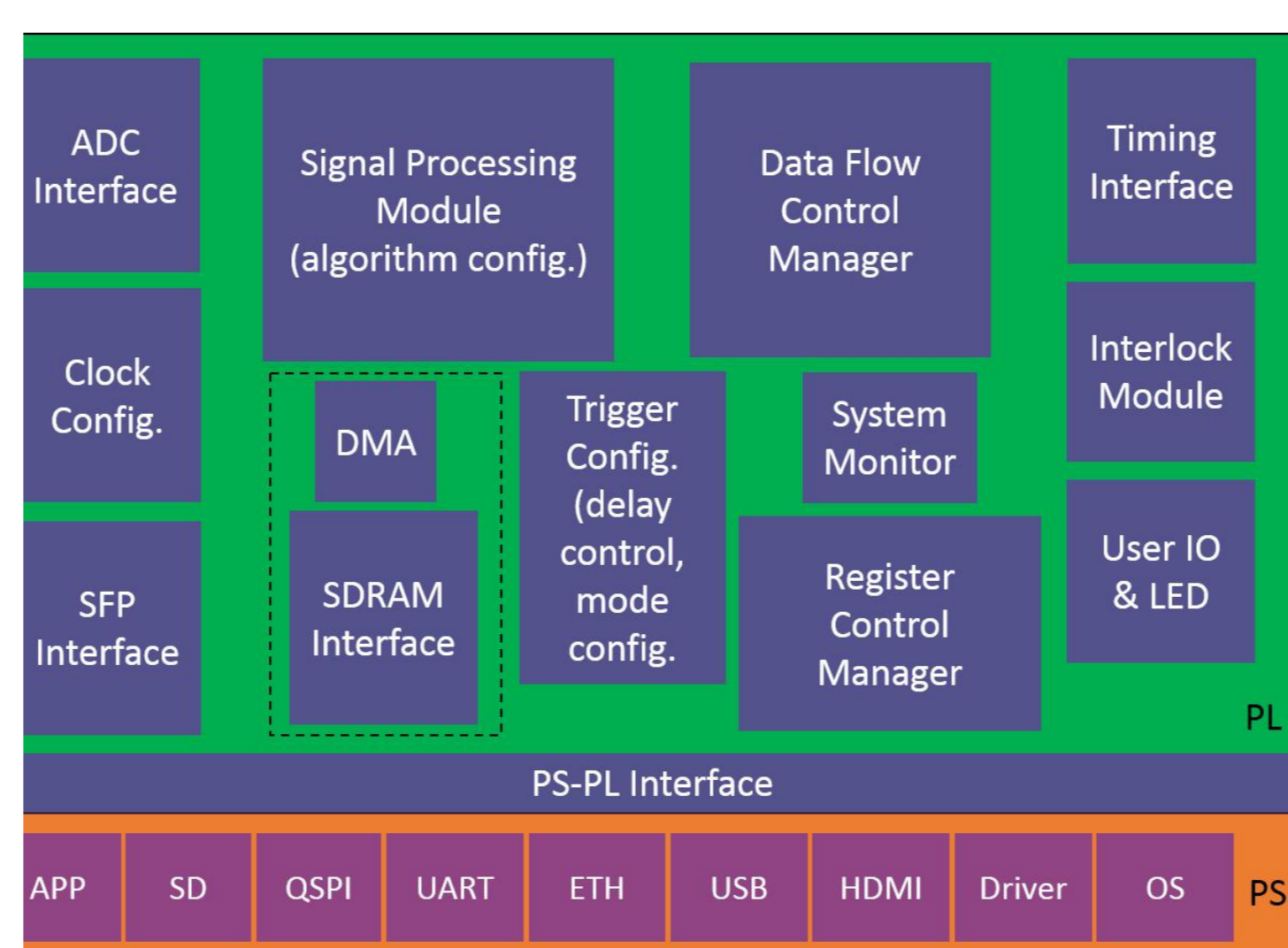
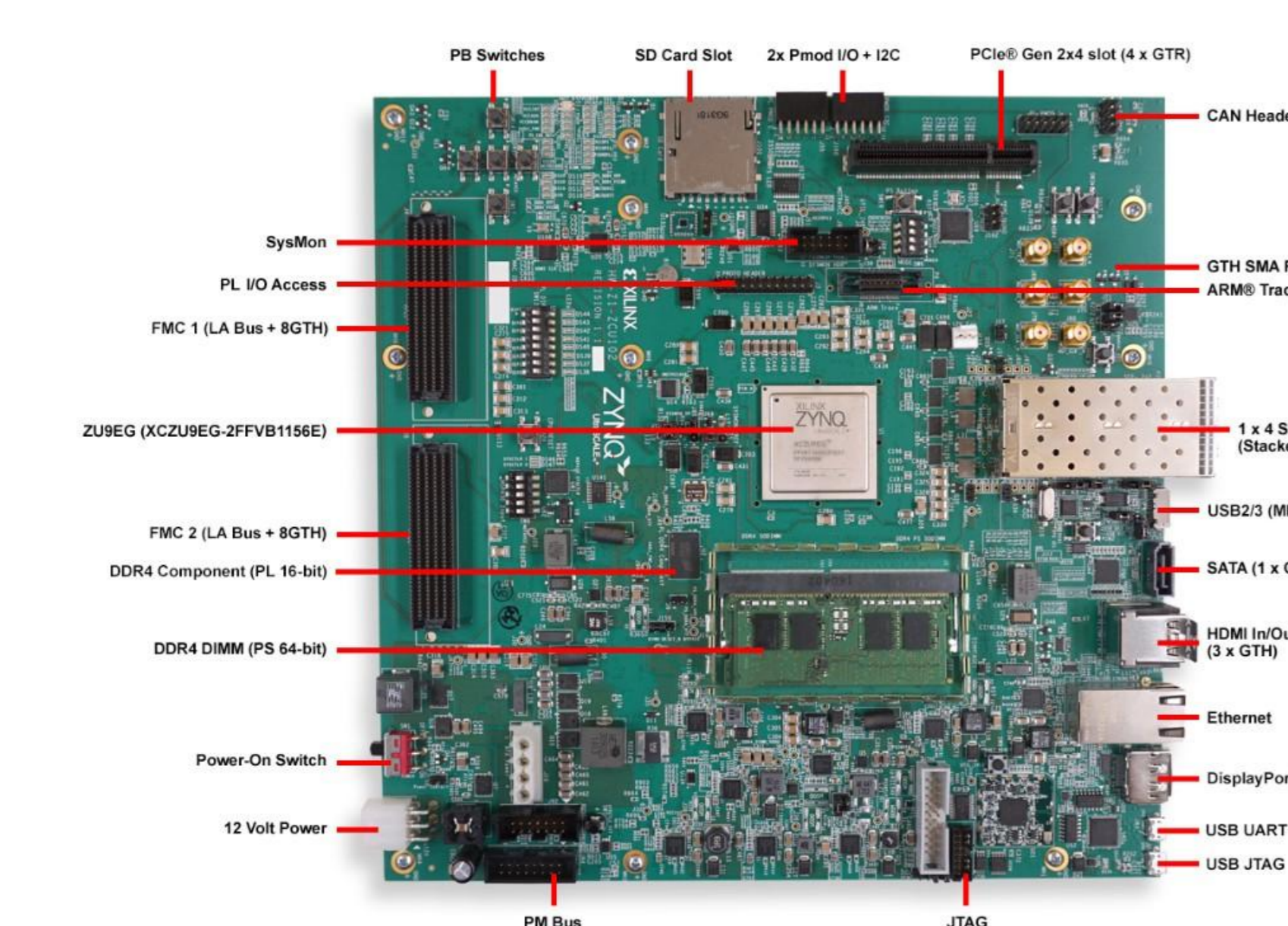
Xilinx Zynq SoC FPGA.

Two FMC interfaces for ADC FMC card and timing FMC card.

ADC card: 4 × 500MHz/1GHz sampling rate;
≥12 bits; >500 MHz bandwidth; internal or external sampling clock source.

Timing card: White Rabbit protocol node; SFP input.

•FPGA Platform & direct RF-sampling ADC

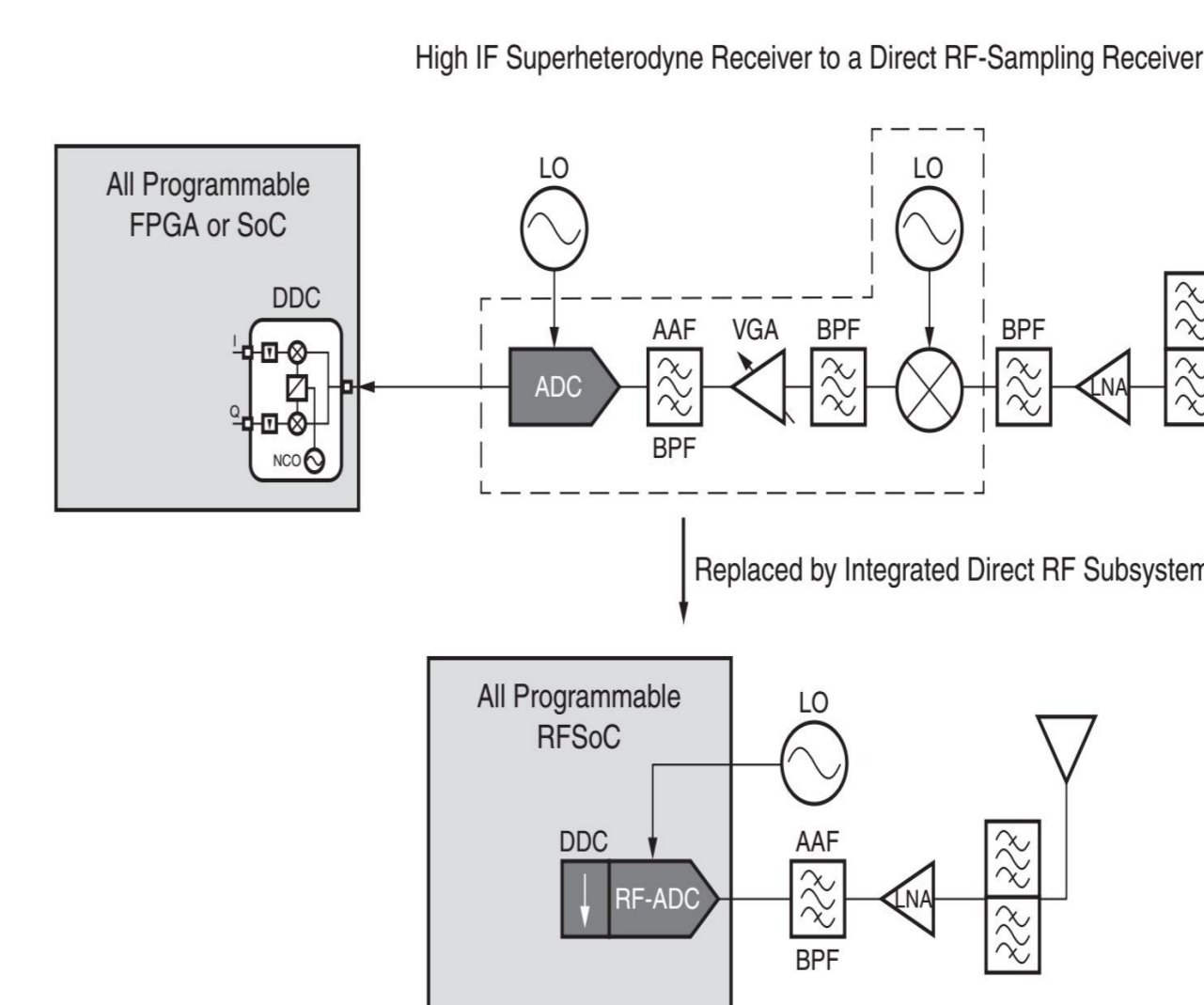


FPGA modules overview

FPGA platform:

ZCU102 Evaluation board:

Zynq UltraScale+ XCZU9EG-2FFV1156 MPSoC



Direct RF-sampling ADCs

bandwidth >5GHz, even up to 9GHz already on the market.

Ideal for digitizing of high frequency and narrowband signal, such as cavity BPM signal.

Cavity BPM system structure can be highly simplified after applying the ADC.